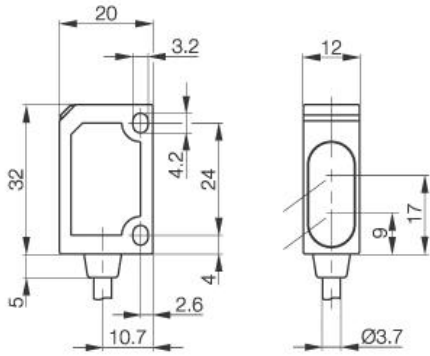


Photoelectric Sensor
BOS 6K-PU-10C-C-02
Sn=300mm
Diffuse



PX1321b

Common Data

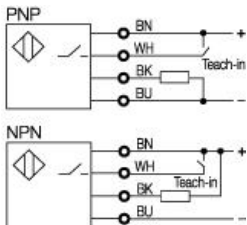
Series	6K
Sensortype	Diffuse
Switching frequency	1000 Hz
Rated operating distance Sn in mm	300
asured operating distance Sa	adjustable
Indication Supply Voltage	yes, green LED
Indication Switching element on	yes, yellow LED
Indication Special funktion	yes, green LED
Ambient temperature	-20...+60°C
On-delay	<0,5ms
Off-delay	<0,5ms
Light	Red light
Sensitivity Adjustment	Teach in
Permissible ambient light	5000 Lux
Output function	light-on or dark-on

Mechanical Data

Measurements	32x20x12
Shock	Halfsinus, 30gn, 11ms
Vibration	10...55Hz, 1,5mm Amplitude 3x2h
Housing material	ABS impact resistant
Material of sensing face	PMMA
Degree of protection	IP67
Connection	Cable
Weigth	120g
Type of Cable	PVC

Electrical Data

Current	DC
Switching function	NO/NC
Output	PNP
Rated operational voltage Ue	24V DC
Rated operational current Ie	100mA
Supply Voltage	10...30V DC
Ripple	< 10% from UB
Frequency of Supply Voltage	DC
No-load supply current	<35mA
Voltage drop	<2,4V
Short protection	yes
Protected against polarity reversal	yes
Rated insulation voltage	250V AC
max. Load capacity	0,33µF



Utilization categories
 Insulation class

Datasheet number:

Definitions see general catalog.
 If not otherwise noted, ratings according to
 IEC 60947-5-2 (DIN EN60947-5-2)

Balluff GmbH
 Schurwaldstrasse 9
 73765 Neuhausen a.d.F.
 Phone (07158) 173-0 Fax (07158) 5010

Datenblatt by CD-ROM - 04/2007

